



FITTING INSTRUCTIONS FOR CP0391BL AERO CRASH PROTECTORS
(RACE ONLY)
YAMAHA YZF-R25/R3 2014-



PICTURE 'A'



PICTURE 'B'



REAR OF BIKE

FRONT OF BIKE

PICTURE 'C'

THIS KIT CONTAINS THE ITEMS PICTURED AND LABELLED BELOW.
DO NOT PROCEED UNTIL YOU ARE SURE ALL PARTS ARE PRESENT.

Please note that the way the kit is packed does not necessarily represent the way of mounting to the bike

Please note that in cases where kits are packed with rubber washers holding the components onto the bolt – *the rubber washers should be thrown away!*

THE PARTS SHOWN MAY BE REPRESENTATIVE ONLY (FOR CLARITY OF INSTRUCTIONS ONLY)

Digital copies of these instructions are available to download from www.rg-racing.com

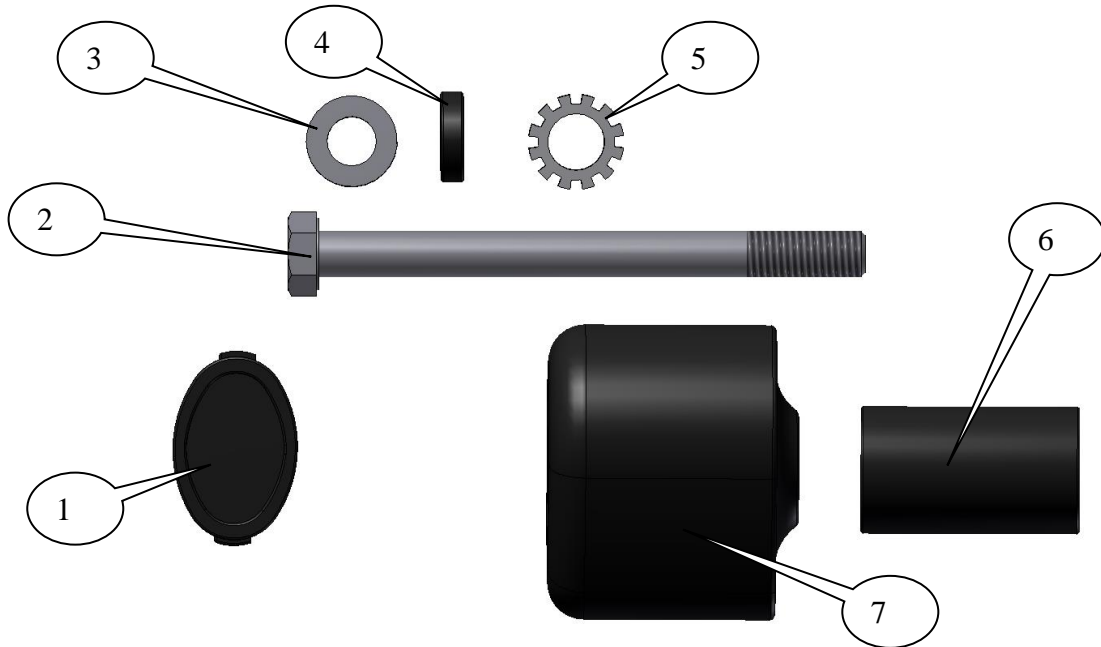
GENERAL TORQUE SETTINGS

M4 BOLT = 8Nm
M5 BOLT = 12Nm
M6 BOLT = 15Nm
M8 BOLT = 20Nm
M10 BOLT = 40Nm

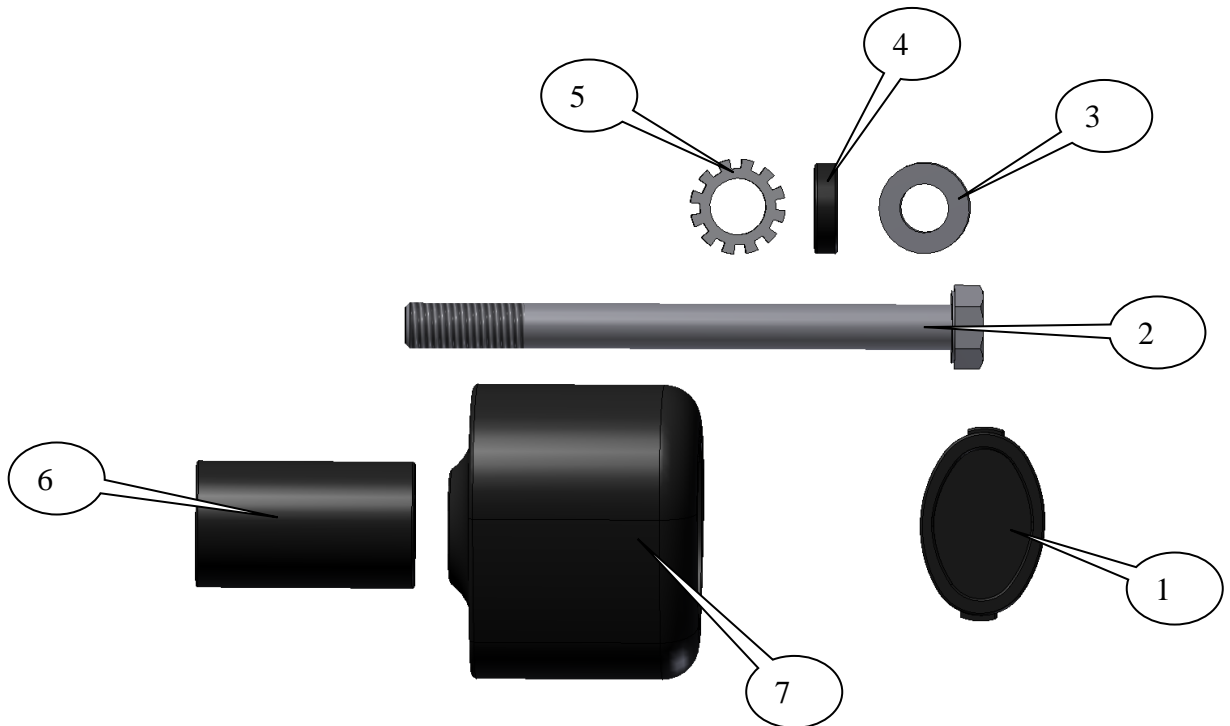
R&G Racing

Unit 1 Shelleys Lane, East Worldham, Alton, Hants GU34 3AQ

Tel: +44 (0)1420 89007 Fax: +44 (0)1420 87301 www.rg-racing.com Email: info@rg-racing.com



LEFT HAND SIDE



RIGHT HAND SIDE



TOOLS REQUIRED

- Socket set to include 17mm A/F socket and wrench.
 - 8mm Allen key.
- Torque wrench (up to 40Nm).

LEGEND

ITEM 1 = CRASH PROTECTOR CAPS, R&LHS (BC0002) (x2).

ITEM 2 = CRASH PROTECTOR BOLTS, M10x1.25x120mm LONG HEX HEAD (x2).

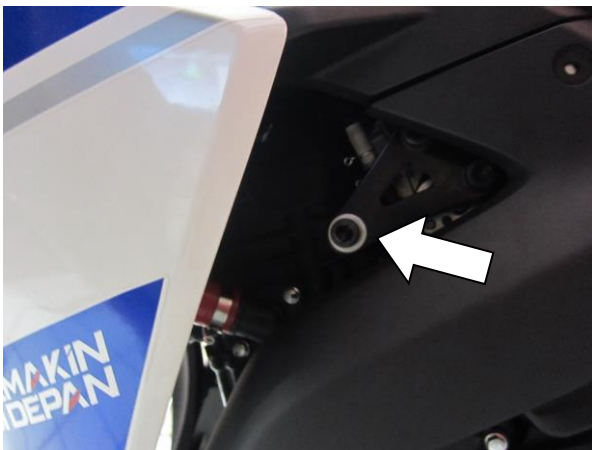
ITEM 3 = M10 PLAIN WASHERS, R&LHS (x2).

ITEM 4 = SPACERS, (INSIDE CRASH PROTECTOR) R&LHS (S0293=5mm WIDE) (x2).

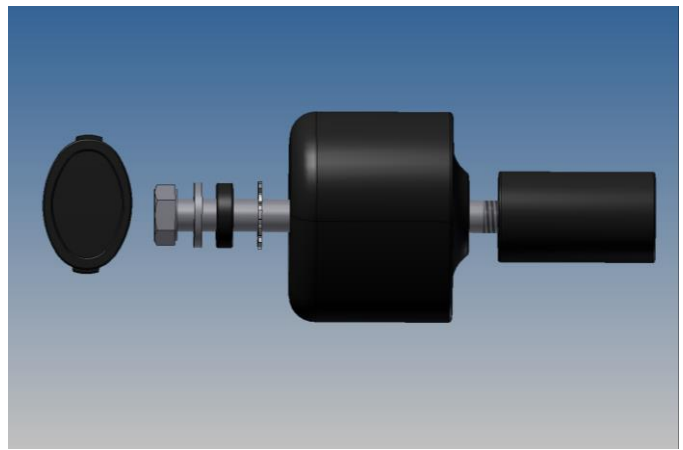
ITEM 5 = LOCKING WASHERS, R&LHS (LW0001) (x2).

ITEM 6 = CRASH PROTECTOR SPACERS, R&LHS (S0892=48mm LONG) (x2).

ITEM 7 = CRASH PROTECTORS, R&LHS (B0063 with CS066, 10mm) (x2).



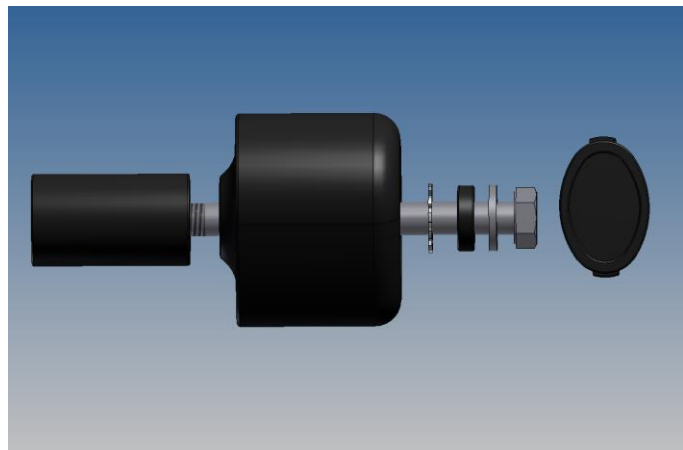
Picture 1



Picture 2



Picture 3



Picture 4



FITTING INSTRUCTIONS

Near side (left side as you sit on bike)

- Remove the bolt arrowed in picture 1.
- Place one of the plain washers (item 3) onto one of the hex headed bolts (item 2=120mm long) as shown in picture 2.
- Place one of the smaller spacers (item 4) over the bolt and against the washer just fitted as shown in picture 2.
- Place one of the locking washers (item 5) over the bolt and against the spacer just fitted as shown in picture 2.
- Place the bolt with both washers and spacer through one of the crash protectors (item 7) as shown in picture 2.
- Place one of the larger spacers (item 6=48mm long) over the exposed end of the bolt as shown in picture 2.
- Offer this assembly into position as shown in picture 'A' on page 1 (please ensure no parts come in contact with any fairing panels). Finally tighten the crash protector bolts until you feel some compression from inside the protector using 17mm socket and wrench. **PLEASE NOTE THE CRASH PROTECTOR MUST BE POSITIONED AS IN PICTURE 'C' WITH BIGGER END TOWARD FRONT OF BIKE.** Turn a little more so that you feel the compression increase slightly. Then apply a quarter turn. Do not over tighten as damage can occur to the bike. Do not exceed 40 N/m of torque.
- If not already fitted, fit bubble sticker into recess of crash protector cap (item 1).
- Fit crash protector cap (item 1) into the crash protector.

Off side (right side as you sit on bike)

- Remove the bolt arrowed in picture 3.
- Place one of the plain washers (item 3) onto one of the hex headed bolts (item 2=120mm long) as shown in picture 4.
- Place one of the smaller spacers (item 4) over the bolt and against the washer just fitted as shown in picture 4.
- Place one of the locking washers (item 5) over the bolt and against the spacer just fitted as shown in picture 4.
- Place the bolt with both washers and spacer through one of the crash protectors (item 7) as shown in picture 4.
- Place one of the larger spacers (item 6=48mm long) over the exposed end of the bolt as shown in picture 4.
- Offer this assembly into position as shown in picture 'B' on page 1 (please ensure no parts come in contact with any fairing panels). Finally tighten the crash protector bolts until you feel some compression from inside the protector using 17mm socket and wrench. **PLEASE NOTE THE CRASH PROTECTOR MUST BE POSITIONED AS IN PICTURE 'C' WITH BIGGER END TOWARD FRONT OF BIKE.** Turn a little more so that you feel the compression increase slightly. Then apply a quarter turn. Do not over tighten as damage can occur to the bike. Do not exceed 40 N/m of torque.
- If not already fitted, fit bubble sticker into recess of crash protector cap (item 1).

ISSUE 1 08/07/2015 (NSY)



INSTRUCTIONS DE MONTAGE POUR CP0391BL PROTECTIONS CRASH LATERALES
(Course uniquement)
YAMAHA YZF-R25/R3 2014-



PHOTO 'A'



PHOTO 'B'



Arrière moto

Avant moto

PHOTO C

LE KIT CONTIENT LES ARTICLES EXPOSES CI-DESSOUS, VERIFIER QUE TOUTES LES PIECES SOIENT PRESENTES AVANT DE PROCEDER AU MONTAGE.

LA FAÇON DONT LE KIT EST EMBALLE NE CORRESPOND PAS FORCEMENT A LA FAÇON DE MONTER LES PIECES SUR LA MOTO.

Notez que si les kits sont emballés avec des rondelles en caoutchouc servant à tenir les composants, *ces rondelles doivent être jetées!*

LES PARTIES PRESENTEES PEUVENT ETRE UNIQUEMENT REPRESENTATIVES (POUR LA CLARTE DES INSTRUCTIONS UNIQUEMENT).

Cette notice est disponible sur www.rg-racing.com

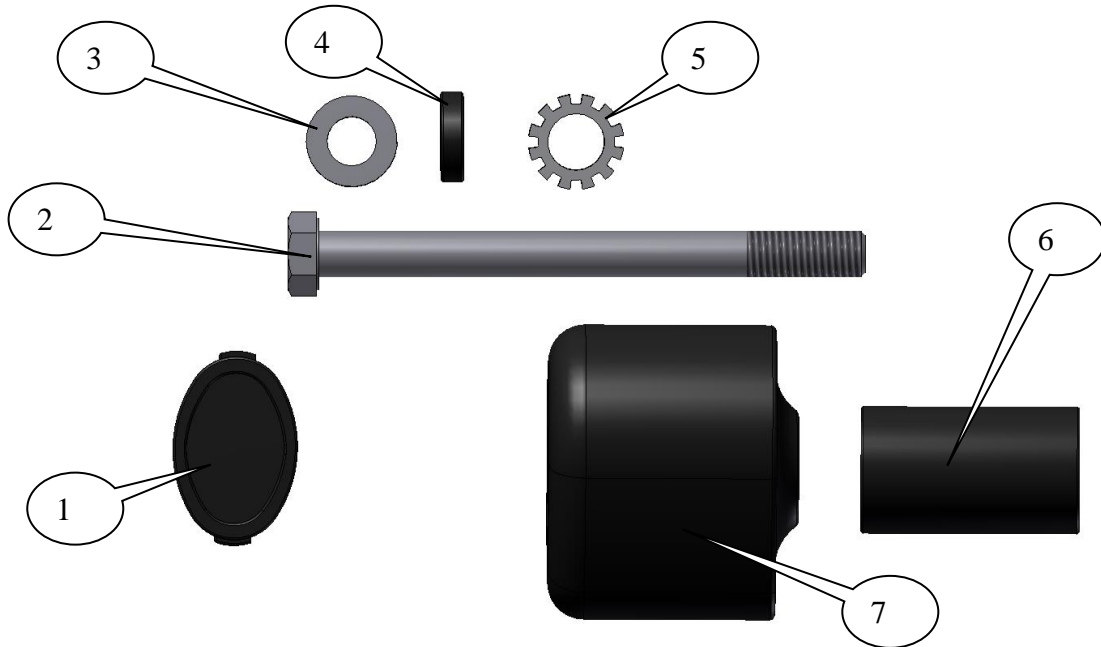
COUPLES DE SERRAGE RECOMMANDES

M4 BOULON = 8Nm
 M5 BOULON = 12Nm
 M6 BOULON = 15Nm
 M8 BOULON = 20Nm
 M10 BOULON = 40Nm

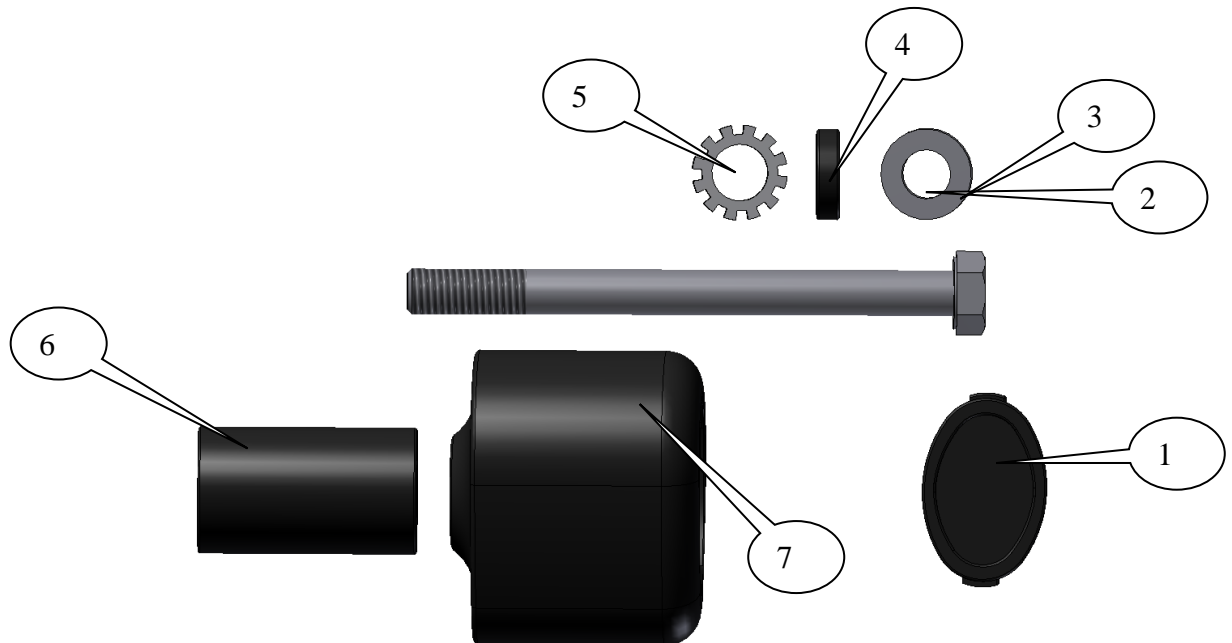
R&G Racing

Unit 1 Shelleys Lane, East Worldham, Alton, Hants GU34 3AQ

Tel: +44 (0)1420 89007 Fax: +44 (0)1420 87301 www.rg-racing.com Email: info@rg-racing.com



COTE GAUCHE



COTE DROIT



OUTILS REQUIS

- Jeu de clés à douille 17mm.
 - Clé Allen 8mm.
- Clé dynamométrique (à 40Nm).

LEGENDE

ARTICLE 1 = CAPUCHONS DE PROTECTION CRASH GAUCHE ET DROITE (BC0002) (x2).

ARTICLE 2 = BOULONS DE PROTECTION CRASH, M10x1.25x120mm (x2).

ARTICLE 3 = M10 RONDELLES GAUCHE ET DROITE (x2).

ARTICLE 4 = ENTRETOISES, (INTERIEUR DE LA PROTECTION CRASH) GAUCHE ET DROITE (S0293=5mm de large) (x2).

ARTICLE 5 = RONDELLES DE BLOCAGE GAUCHE ET DROITE (LW0001) (x2).

ARTICLE 6 = ENTRETOISES DE PROTECTION CRASH GAUCHE ET DROITE (S0892=48mm DE LONG) (x2).

ARTICLE 7 = PROTECTIONS CRASH GAUCHE ET DROITE (B0063 avec CS066, 10mm) (x2).

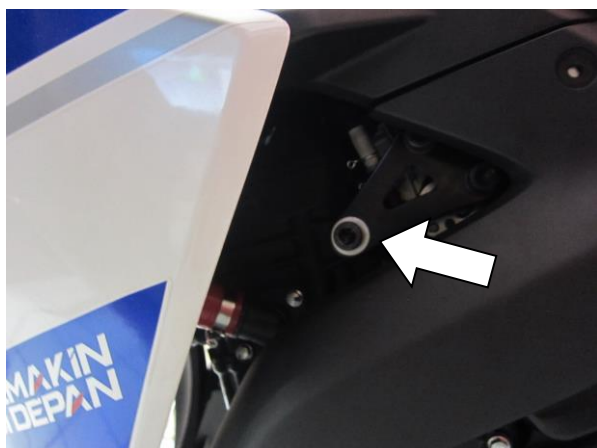


Photo 1

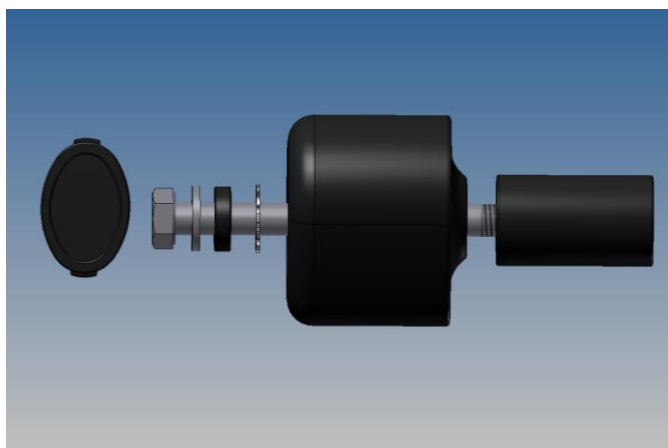


Photo 2



Photo 3

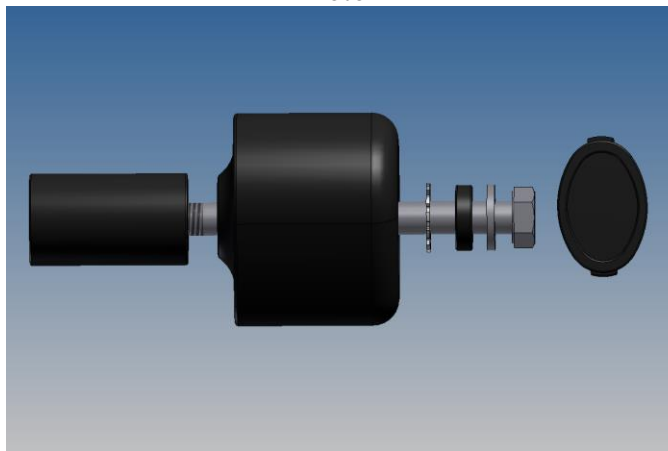


Photo 4

R&G Racing

Unit 1 Shelleys Lane, East Worldham, Alton, Hants GU34 3AQ

Tel: +44 (0)1420 89007 Fax: +44 (0)1420 87301 www.rg-racing.com Email: info@rg-racing.com



Instructions de montage

Coté gauche (lorsqu'on est assis sur la moto)

- Enlever le boulon, indiqué sur la photo 1.
- Placer une des rondelles (article 3) sur un des boulons (article 2=120mm long) voir photo 2.
- Placer une des entretoises (article 4) sur le boulon et contre la rondelle, voir photo 2.
- Placer une des rondelles de blocage (article 5) sur le boulon et contre l'entretoise tout juste insérée, voir photo 2.
- Placer le boulon muni des 2 rondelles et de l'entretoise dans une des protections crash (article 7) voir photo 2.
- Placer une des entretoises larges (article 6=48mm long) sur l'extrémité du boulon, voir photo 2.
- Monter l'ensemble en position, voir photo 'A' sur la page 1 (Veiller à ce qu'aucune partie ne puisse entrer en contact avec le carénage). Enfin, serrer les boulons de protection crash jusqu'à ce que vous sentiez la compression s'accroître dans la protection, en utilisant une pince de 17mm. **LA PROTECTION DOIT ETRE POSITIONNEE COMME EN "C" AVEC LE COTE ARRONDI LE PLUS GROS EN DIRECTION DE L'AVANT DE LA MOTO.** Tourner un peu plus afin d'accroître légèrement la compression. Faire un quart de tour. Pas plus de 40 Nm de couple - Ne pas trop serrer, au risque d'abîmer les composants.
- Placer le sticker R&G dans le creux de capuchon de la protection (article 1).
- Insérer le capuchon de la protection (article 1) dans la protection.

Coté gauche (lorsqu'on est assis sur la moto)

- Enlever le boulon, indiqué sur la photo 3.
- Placer une des rondelles (article 3) sur un des boulons (article 2=120mm de long), voir photo 4.
- Placer une des petites entretoises (article 4) sur le boulon et contre la rondelle tout juste insérée, voir photo 4.
- Placer une des rondelles de blocage (article 5) sur le boulon et contre l'entretoise tout juste insérée, voir photo 4.
- Placer le boulon avec les 2 rondelles et l'entretoise dans la protection crash restante (article 7), voir photo 4.
- Placer une des entretoises les plus larges (article 6=48mm de long) sur l'extrémité du boulon, voir photo 4.
- Monter l'ensemble en position, voir photo 'B' sur la page 1 (Veiller à ce qu'aucune partie ne puisse entrer en contact avec le carénage). Enfin, serrer les boulons de protection crash jusqu'à ce que vous sentiez la compression s'accroître dans la protection, en utilisant une pince de 17mm. **LA PROTECTION DOIT ETRE POSITIONNEE COMME EN "C" AVEC LE COTE**



ARRONDI LE PLUS GROS EN DIRECTION DE L'AVANT DE LA MOTO. Tourner un peu plus afin d'accentuer légèrement la compression. Faire un quart de tour. Pas plus de 40 Nm de couple - Ne pas trop serrer, au risque d'abîmer les composants.

- Placer le sticker R&G dans le creux de capuchon de la protection (article 1).
- Insérer le capuchon de la protection (article 1) dans la protection.

ISSUE 1 08/07/2015 (NSY)

CONSUMER NOTICE

The catalogue description and any exhibition of samples are only broad indications of the Products and R&G may make design changes which do not diminish their performance or visual appeal and supplying them in such state shall conform to the order. The Buyer acknowledges no representation or warranty (other than as to title) has been given or will apply to the Products other than those in R&G's order or confirmation and the Buyer confirms it has chosen the Products as being of merchantable quality and suitable for its particular purposes. Where R&G fits the Products or undertakes other services it shall exercise reasonable skill and care and rectify any fault free of charge unless the workmanship has been disturbed. The Buyer is responsible for ensuring that the warranty on the motorcycle is not affected by the fitting of the Products. On return of any defective Products R&G shall at its option either supply a replacement or refund the purchase money but shall not be liable if the Products have been modified or used or maintained otherwise than in accordance with R&G's or manufacturer's instructions and good engineering practice or if the defect arises from accident or neglect. Other than identified above and subject to R&G not limiting its liability for causing death and personal injury, it shall not be liable for indirect or consequential loss and otherwise its liability shall be limited to the amounts paid by the Buyer for the Products or the fitting or service concerned. These terms do not affect the Buyer's statutory rights.

R&G RACING RETURNS POLICY (NON-FAULTY GOODS)

Returns must be pre-authorised (if not pre-authorised the return will be rejected). Goods may only be returned direct to us if they were purchased direct from us (customer must prove if necessary). Otherwise to be returned to original vendor. Goods must be in re-sellable condition, in the opinion of R&G Racing. All returns are subject to a 25% restocking and handling fee (25% of the gross value exc. P&P – at the prevailing price at time of purchase). The customer must pay any and all carriage charges. No returns of discontinued products, unless within 14 days of purchase. This policy does not affect your statutory rights and does not refer to faulty goods.