



FITTING INSTRUCTIONS FOR LP0375 LICENCE PLATE BRACKET



This kit contains the items pictured and labelled over page.

Some parts may be shown for clarity of instructions only.

Do not proceed until you are sure all parts are present.

Please read all instructions before proceeding.

**IF IN ANY DOUBT WHEN FITTING OUR PRODUCTS, CONSULT ONE OF OUR DEALERS
OR HAVE FITTED BY A QUALIFIED TECHNICIAN.**

Please note that the way the kit is packed does not necessarily represent the way of mounting to the bike.

In the event of rubber washers being used to hold components onto bolts, these rubber washers can be thrown away.

DIGITAL COPIES OF THESE INSTRUCTIONS ARE AVAILABLE FROM

WWW.RG-RACING.COM

R&G

Unit 1, Shelley's Lane, East Worldham, Alton, Hampshire, GU34 3AQ

Tel: +44 (0)1420 89007 Fax: +44 (0)1420 87301 www.rg-racing.com Email: info@rg-racing.com



<u>TOOLS REQUIRED</u>	<u>GENERAL TORQUE SETTINGS</u>
<ul style="list-style-type: none"> • Set of metric Hex keys <ul style="list-style-type: none"> • T30 Torx head tool • Set of metric sockets and wrench. <ul style="list-style-type: none"> • 8mm & 10mm spanners. • Phillips screwdriver. • Needle-nose pliers 	M4 BOLT = 8Nm M5 BOLT = 12Nm M6 BOLT = 15Nm M8 BOLT = 20Nm M10 BOLT = 40Nm M12 BOLT = 40Nm

LEGEND

ITEM No.	DESCRIPTION	QTY
1	TB0375 MAIN MOUNTING BRACKET	1
2	TB0347 PART 2 LICENCE PLATE BRACKET	1
3	LA0002 LICENSE PLATE ILLUMINATOR ASSEMBLY	1
4	CON0013 LICENSE PLATE ILLUMINATOR CONNECTOR	1
5	M5x0.80x16mm COUNTERSUNK BOLT	4
6	M5x10mm Ø FLAT WASHER	4
7	M6x12mm Ø FLAT WASHER	4
8	M5x0.8 NYLOC NUT	4
9	IWC0002 INDICATOR WIRING COVER	2
10	666-896-20 200mm LENGTH OF HEAT-SHRINK	1
11	CT75 2.5mm WIDE x 75mm LONG CABLE TIES	4
12	CLIP1 SELF ADHESIVE CLIPS	4
13	REFL3 REFLECTOR	1
14	M6x1.00x16mm BUTTON HEAD BOLT	4
15	M6x1.00 NYLOC NUT	4

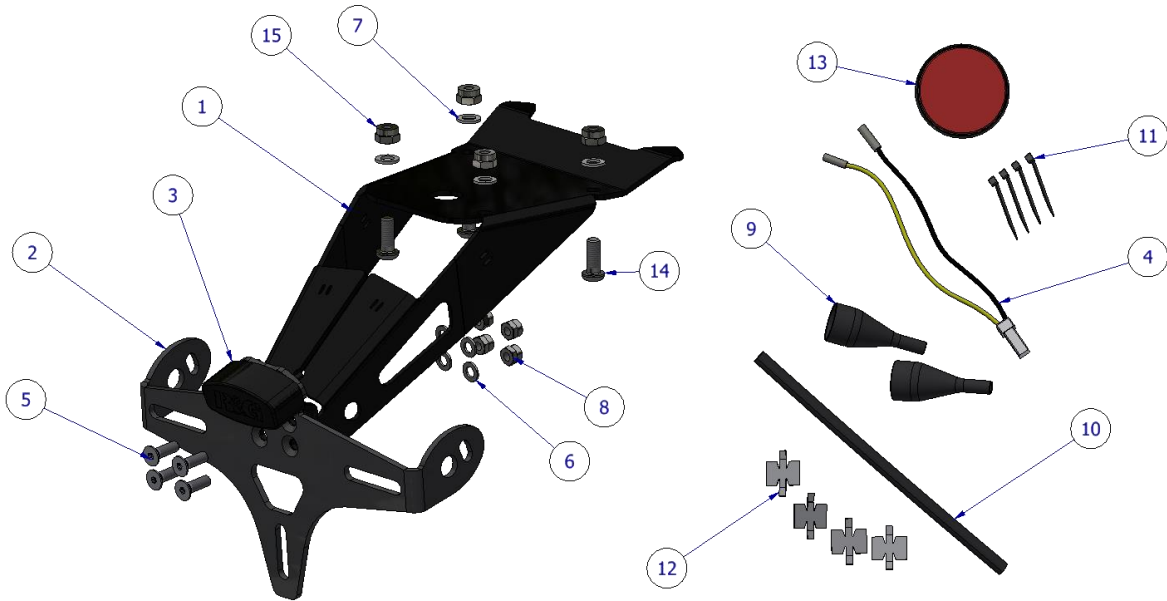
R&G

Unit 1, Shelley's Lane, East Worldham, Alton, Hampshire, GU34 3AQ

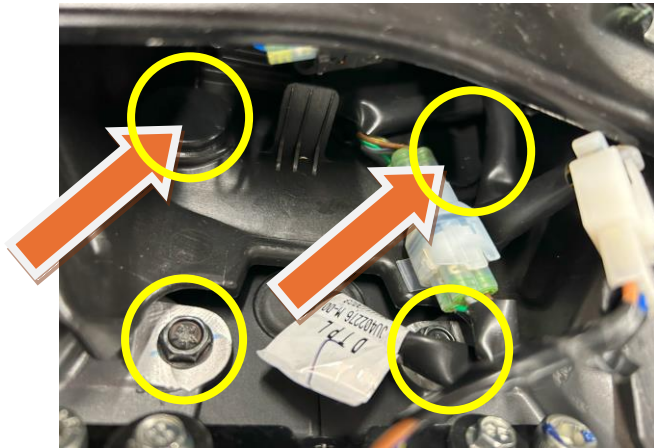
Tel: +44 (0)1420 89007 Fax: +44 (0)1420 87301 www.rg-racing.com Email: info@rg-racing.com



ASSEMBLY DIAGRAM



FITTING PICTURES



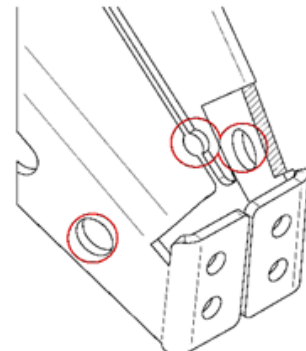
Picture 1



Picture 2

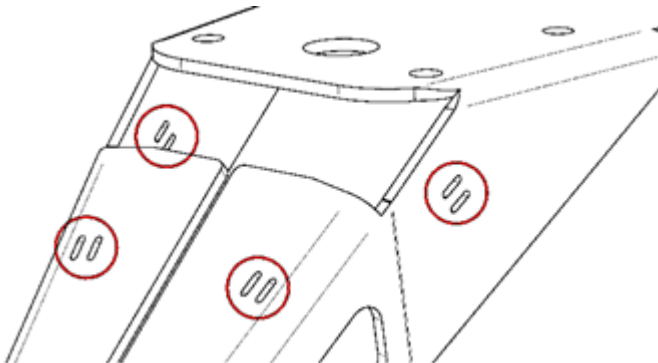


Picture 3



Picture 4

R&G

**Picture 5**

FITTING INSTRUCTIONS

Removing the OEM Tail Bracket

1. Remove the rear seat unit via the lock on the subframe & then rider seat.
2. Disconnect the rear indicator and number plate light connectors located under the pillion seat.
3. Remove the 2x rubber caps arrowed in Picture 1, and then remove the 4x bolts circled in Picture 1.

Disassembly of the OEM Tail Unit

1. Remove all visible bolts from the tail unit and separate the two halves.
2. Unplug the indicators and number plate light, then remove the small wiring harness.
3. Once removed the tail units frame should be visible, remove the nuts holding the indicators in place (as shown in Picture 2) along with any cable ties.
4. Re-assembly the tail unit without indicators and store.

Assembly of the R&G Tail Tidy

1. Apply the supplied heat shrink (**Item 10**) or insulating tape to the indicator cables and supplied number plate illuminator (**Item 3**) to cover any exposed wires, then attach the CON0013 (**Item 4**) to the licence plate illuminator bullet connectors.
2. Using the 4X M5 bolts, nuts & washers (**Items 5, 6 & 8**) assemble the licence plate bracket (**Item 2**) with the main mounting bracket (**Item 1**).
3. Using the supplied heat shrink or insulating tape, apply a small amount to the end of the indicator wiring cover to stop it from moving (Picture 3).
4. Push the OEM indicator cables through the indicator brackets on the licence plate bracket (**Item 2**), then through the holes in the main mounting bracket (**Item 1**).
5. Slide over the OEM nuts and washers, followed by the indicator wiring cover (**Item 9**).

R&G

Unit 1, Shelley's Lane, East Worldham, Alton, Hampshire, GU34 3AQ

Tel: +44 (0)1420 89007 Fax: +44 (0)1420 87301 www.rg-racing.com Email: info@rg-racing.com



Please note: The wiring covers may need to be cut at the tapered end in order to fit the connectors through.

6. Tighten down the indicator nuts.
7. Thread the licence plate illuminator (**Item 3**) cables through the licence plate bracket & the hole in **Item 1** shown in Picture 4 then add the supplied washers and nuts to the threaded bars on the back of **Item 3**.
8. Thread the supplied cable ties (**Item 11**) through the slots on **Item 1** shown in Picture 5.

Attaching the R&G Tail Tidy

1. With the 4X M6 bolts (**Item 14**) to hand, offer up the assembly to the motorcycles undertray.
2. Thread the indicator and licence plate illuminator cables through the wiring hole in the undertray.
3. Thread the bolts through the tail tidy assembly, subframe, M6 washers and M6 nuts (**Items 7 & 15**) one by one until all four are tight enough to keep the assembly in position.
4. At this point attach the indicator and licence plate illuminator connectors to the OEM wiring harness.
5. Check the operation of the indicators and licence plate lights – and that the LHS and RHS indicators are in the correct orientation.
6. Find a suitable position to attach the cables/inline resistors to the underside of the tail bracket.
7. Tighten down all four bolts evenly according to the general torque settings table.

IMPORTANT: IF FITTING A FULL-SIZE LICENCE PLATE AND PLACING IT LOW DOWN ON THE LICENCE PLATE MOUNT, THERE IS A POTENTIAL CHANCE THE LICENCE PLATE COULD HIT THE BACK WHEEL UNDER HEAVY LOAD AND OVER LARGE BUMPS IN THE ROAD. IT IS YOUR RESPONSIBILITY TO CHECK FOR THIS POSSIBILITY AND TAKE AVOIDING ACTION. FAILURE TO CHECK THIS COULD RESULT IN SERIOUS INJURY.

ISSUE 1 20/02/2024 (MH)

CONSUMER NOTICE

The catalogue description and any exhibition of samples are only broad indications of the Products and R&G may make design changes which do not diminish their performance or visual appeal and supplying them in such state shall conform to the order. The Buyer acknowledges no representation or warranty (other than as to title) has been given or will apply to the Products other than those in R&G's order or confirmation and the Buyer confirms it has chosen the Products as being of merchantable quality and suitable for its particular purposes. Where R&G fits the Products or undertakes other services it shall exercise reasonable skill and care and rectify any fault free of charge unless the workmanship has been disturbed. The Buyer is responsible for ensuring that the warranty on the motorcycle is not affected by the fitting of the Products. On return of any defective Products R&G shall at its option either supply a replacement or refund the purchase money but shall not be liable if the Products have been modified or used or maintained otherwise than in accordance with R&G's or manufacturer's instructions and good engineering practice or if the defect arises from accident or neglect. Other than identified above and subject to R&G not limiting its liability for causing death and personal injury, it shall not be liable for indirect or consequential loss and otherwise its liability shall be limited to the amounts paid by the Buyer for the Products or the fitting or service concerned. These terms do not affect the Buyer's statutory rights.

R&G RACING RETURNS POLICY (NON-FAULTY GOODS)

Returns must be pre-authorized (if not pre-authorized the return will be rejected). Goods may only be returned direct to us if they were purchased direct from us (customer must prove if necessary). Otherwise to be returned to original vendor. Goods must be in re-sellable condition, in the opinion of R&G Racing. All returns are subject to a 25% restocking and handling fee (25% of the gross value exc. P&P – at the prevailing price at time of purchase). The customer must pay any and all carriage charges. No returns of discontinued products, unless within 14 days of purchase. This policy does not affect your statutory rights and does not refer to faulty goods.

R&G

Unit 1, Shelley's Lane, East Worldham, Alton, Hampshire, GU34 3AQ

Tel: +44 (0)1420 89007 Fax: +44 (0)1420 87301 www.rg-racing.com Email: info@rg-racing.com